

Prepared by: K. Van de Plas

Specification Control Drawing for the Butt-Ended Fiber-Optic Splice Closure (FOSC-400)

FOSC-400A4 – dome and base assembly	2
FOSC-400A8 – dome and base assembly	3
FOSC-400A8 – base assembly	4
FOSC-400A4 & A8 – storage sleeve for uncut loose tubes	5
FOSC-400A8 – basket	6
FOSC-400A4 & A8 – splicing trays	7
FOSC-400A4 & A8 – splicing trays	8
FOSC-400A8 – slim splicing tray	9
FOSC-400B2 – dome and base assembly	10
FOSC-400B4 – dome and base assembly	11
FOSC-400B4 – base assembly for 6 trays	12
FOSC-400D5/B – dome and base assembly	13
FOSC-400D5/B – base & tray assembly	14
FOSC-400B2 & B4 & D5/B – splicing trays	15
FOSC-400B2 & B4 & D5/B – splicing trays	16
FOSC-400D5 – dome and base assembly	17
FOSC-400D5 – base & tray assembly	18
FOSC-400D5 – splicing trays	19
Dome/base clamp	20
Sealing ring	21
Oval outlet seal	22
Branch-off clip for oval outlet cable seal	23
Drop cable seal	24
1-clip shield continuity wire	25

FOSC-400A4 – dome and base assembly

Part description NA
 Part number NA
 Material Dome and base: PP

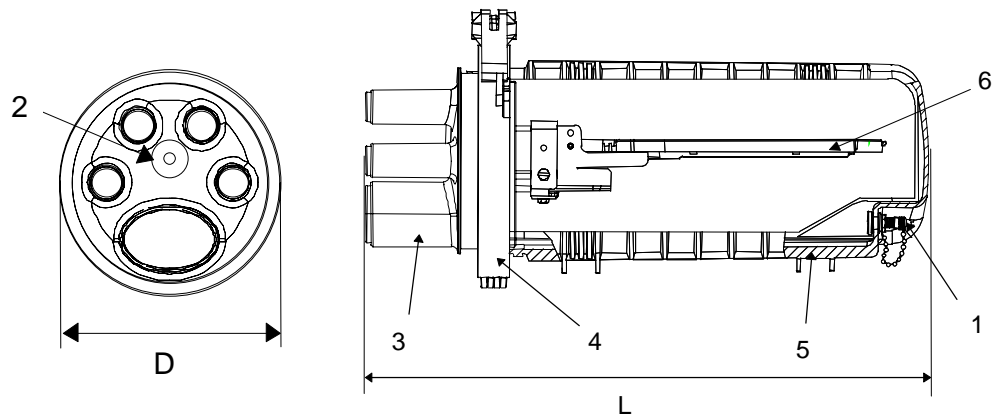
Dimensions (in mm)

Product size	Diameter	Length
	D (nom.)	L (nom.)
FOSC-400A4	157	420

Notes Nominal values are given for information only.

Drawing key [521, 522]

1. Optional valve for pressure testing
2. Optional ground feed-through
3. Base
4. Clamp
5. Dome
6. Tray



FOSC-400A8 – dome and base assembly

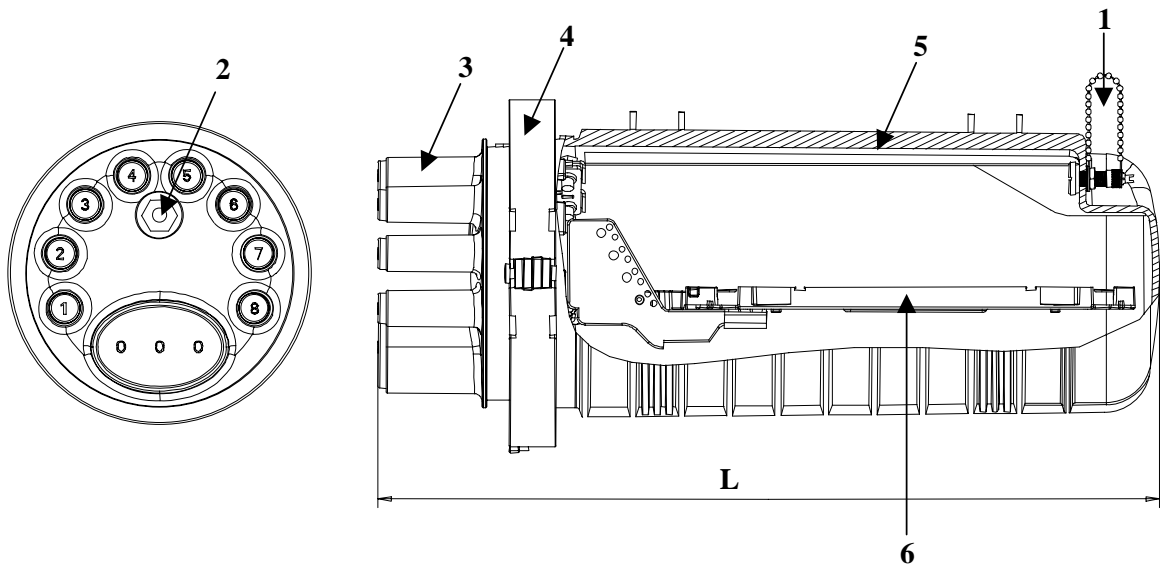
Part description	NA
Part number	NA
Material	Dome and base: PP

Dimensions (in mm)

Product size	Length L (nom.)
FOSC-400A8	410

Notes Nominal values are given for information only.

Drawing key [1056]	1. Valve for pressure testing
	2. Optional ground feed-through
	3. Base assembly
	4. Clamp
	5. Dome
	6. Tray



FOSC-400A8 – base assembly

Part description NA
 Part number NA
 Material PP + PP-GF

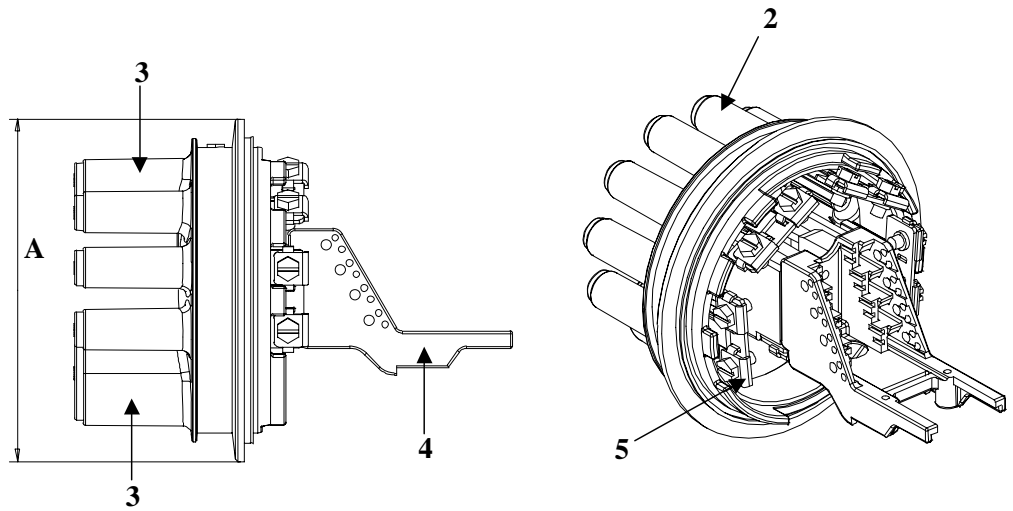
Dimensions (in mm)

Product size	A (nom.)	Tray capacity
FOSC-400A8	157	4 std trays 8 slim trays

Notes Nominal values are given for information only.

Drawing key [1056]

1. Base
2. Drop port
3. Oval port
4. Tray tower
5. Strength member attachment



FOSC-400A4 & A8 – storage sleeve for uncut loose tubes

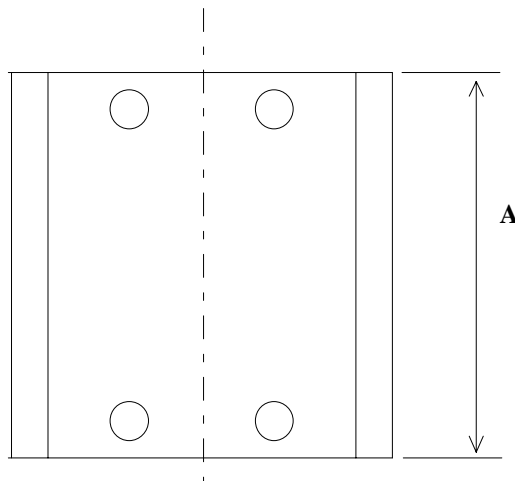
Part description -
Part number K348-2324
Material PE

Dimensions (in mm)

Product size	A (nom.)
FOSC-400A4 & A8	104

Notes Nominal values are given for information only.

Drawing key
[532]



FOSC-400A8 – basket

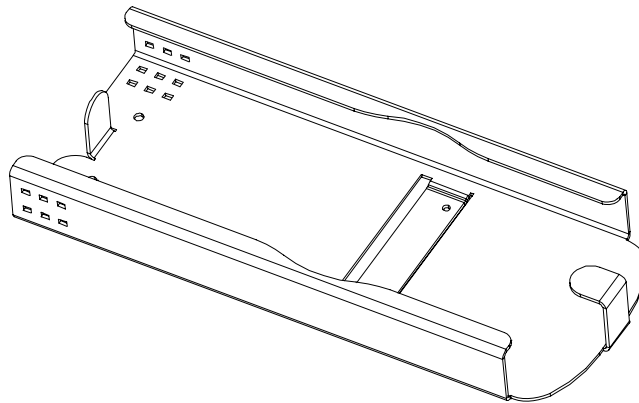
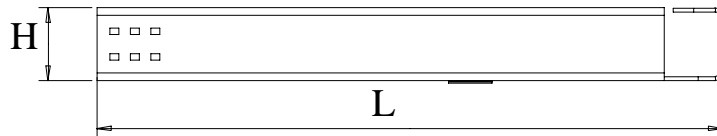
Part description FOSC4A8-BASKET
 Part number K398-8297-AA
 Material Alu

Dimensions (in mm)

Product size	L (nom.)	T (nom.)
FOSC-400A8	244	29

Notes Nominal values are given for information only.

Drawing key
 [1058]



FOSC-400A4 & A8 – splicing trays

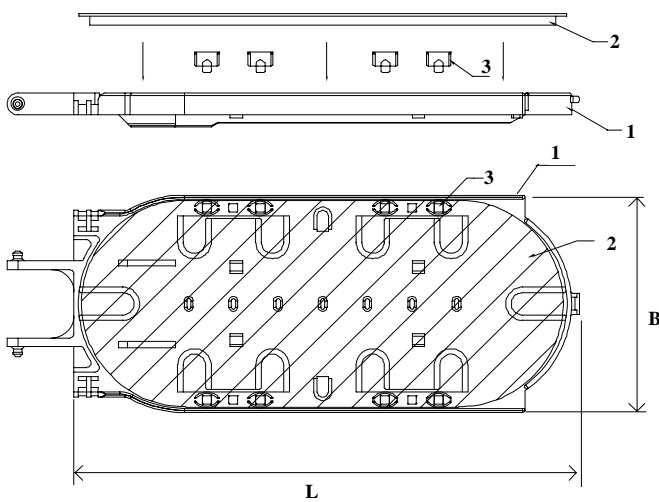
Part description TRAY-FOSC-400A-XXX...
Part number See table underneath
Material Trays: ABS

Dimensions (in mm)

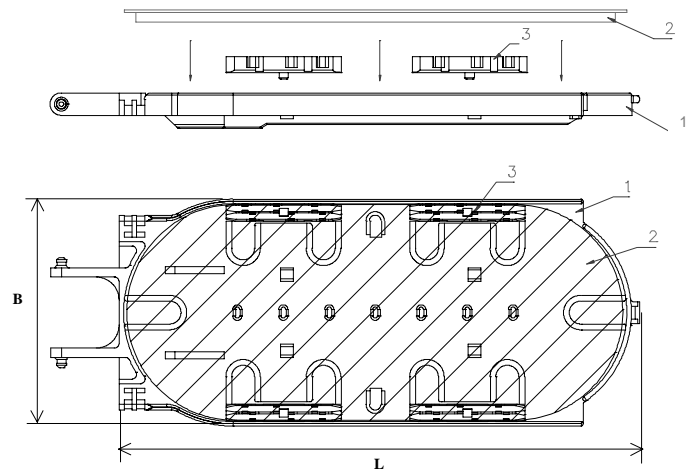
Product size	Part number	B (nom.)	L (nom.)	Splice capacity
FOSC-400A4 & A8	FSCA-4A-TRAY-01	99	225	8
FOSC-400A4 & A8	FSCA-4A-TRAY-02	99	225	16
FOSC-400A4 & A8	FSCA-4A-TRAY-05	99	225	24

Notes Nominal values are given for information only.

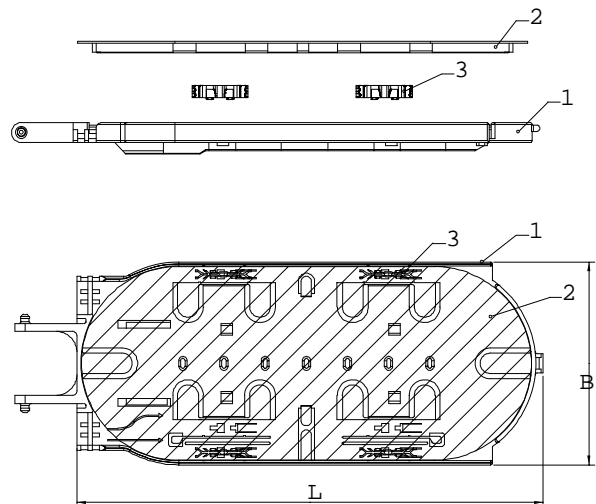
Drawing key
[???] [893] 1. Tray
[819] 2. Tray lid
3. Splice holder



FSCA-4A-TRAY-01



FSCA-4A-TRAY-02



FSCA-4A-TRAY-03

FOSC-400A4 & A8 – splicing trays

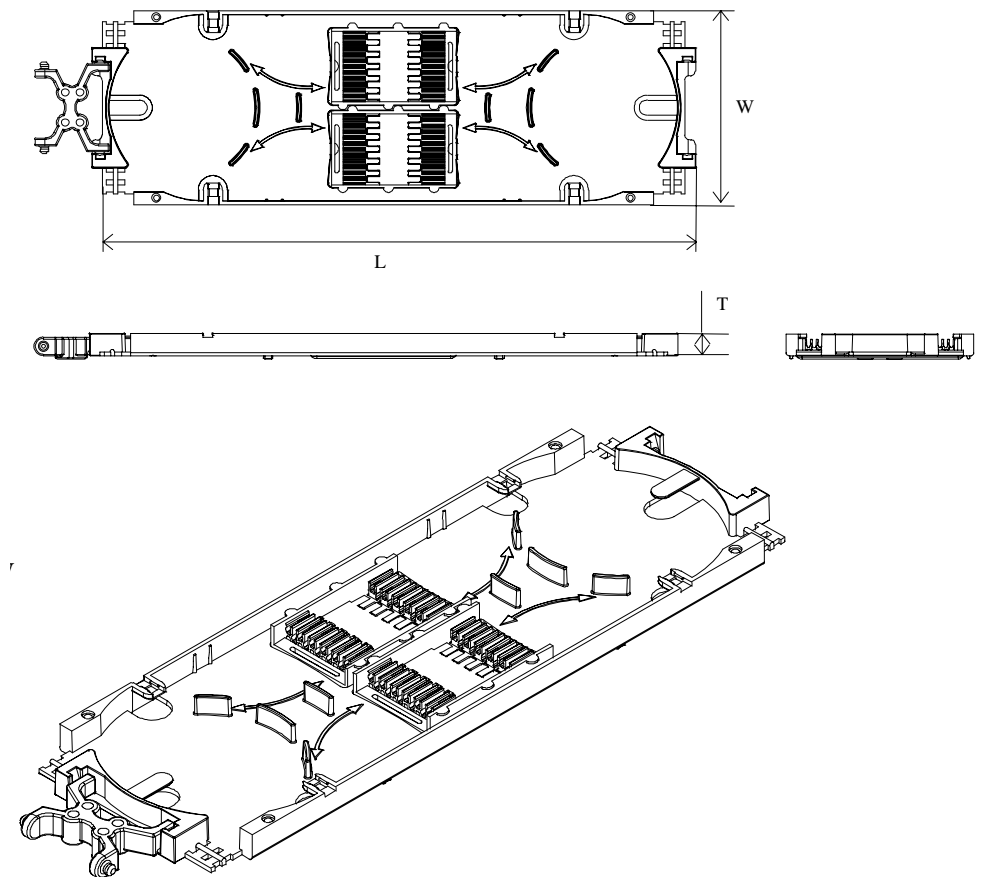
Part description TRAY-FOSC-400A...
 Part number See table underneath

Dimensions (in mm)

Product size	Part number	W (nom.)	L (nom.)	T (nom.)	Splice capacity
FOSC-400A4 & A8	FOSC-A-TRAY-12	97.4	227	11.5	12
FOSC-400A4 & A8	FOSC-A-TRAY-24	97.4	227	11.5	24

Notes Nominal values are given for information only.

Drawing key
 [867]



FOSC-400A8 – slim splicing tray

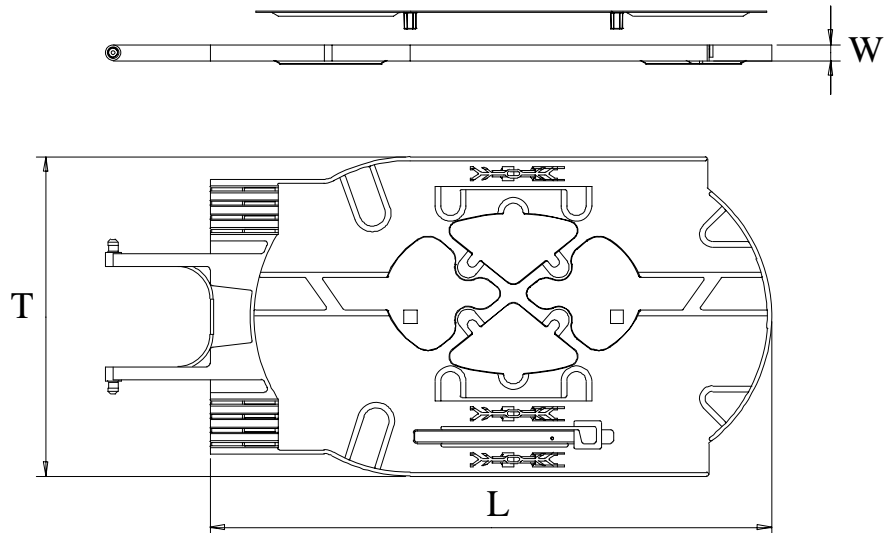
Part description SMALL SMV TRAY/12TRAY CLO
 Part number FOSC-AS-TRAY-S6-1

Dimensions (in mm)

Product size	W (nom.)	L (nom.)	T (nom.)	Splice capacity
FOSC-400A8	5	175	100	6

Notes Nominal values are given for information only.

Drawing key
 [1058]



FOSC-400B2 – dome and base assembly

Part description NA
 Part number NA
 Material Dome and base: PP

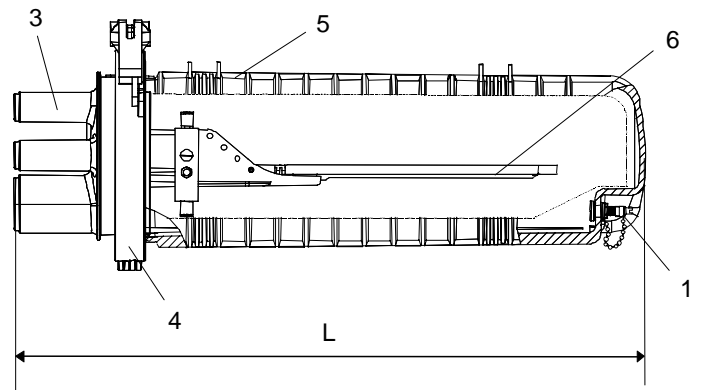
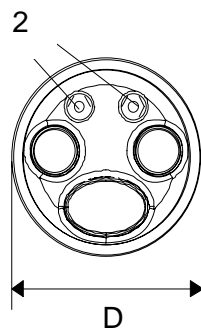
Dimensions (in mm)

Product size	Diameter	Length
	D (nom.)	L (nom.)
FOSC-400B2	157	540

Notes Nominal values are given for information only.

Drawing key
 [521, 528]

1. Optional valve for pressure testing
2. Optional ground feed-through
3. Base
4. Clamp
5. Dome
6. Tray



FOSC-400B4 – dome and base assembly

Part description NA
 Part number NA
 Material Dome and base: PP

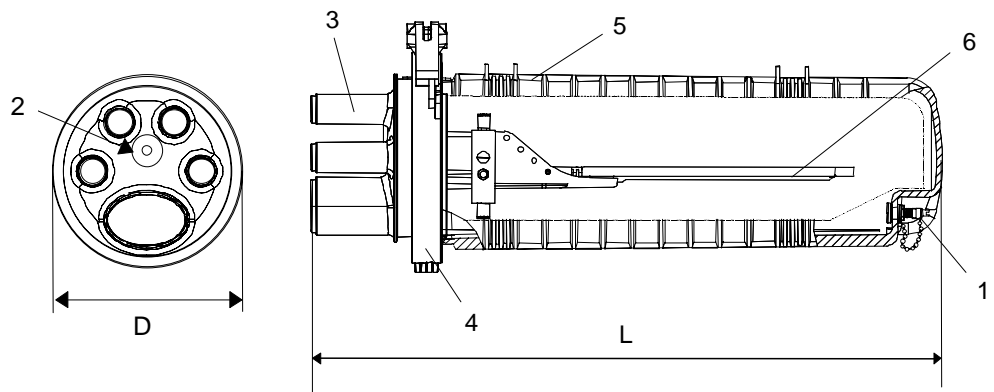
Dimensions (in mm)

Product size	Diameter	Length
	D (nom.)	L (nom.)
FOSC-400B4	157	540

Notes Nominal values are given for information only.

Drawing key [521, 528]

1. Optional valve for pressure testing
2. Optional ground feed-through
3. Base
4. Clamp
5. Dome
6. Tray



FOSC-400B4 – base assembly for 6 trays

Part description NA
 Part number NA
 Material PP

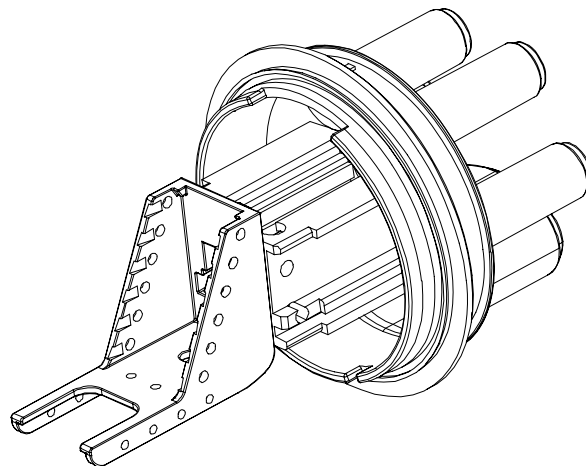
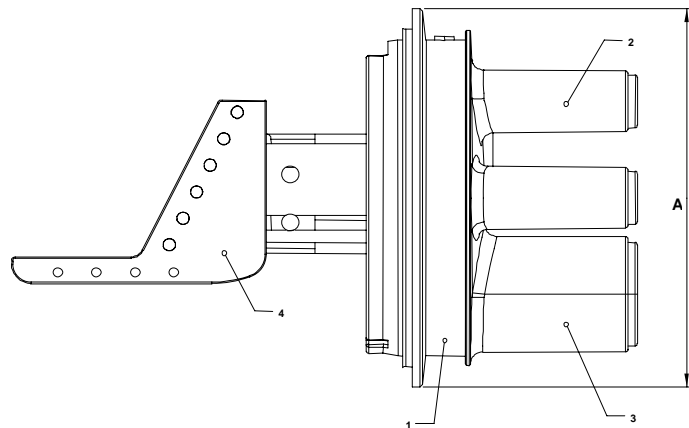
Dimensions (in mm)

Product size	A (nom.)
FOSC-400B4	157

Notes Nominal values are given for information only.

Drawing key
 [1002]

1. Base
2. Drop port
3. Oval port
4. Tray tower



FOSC-400D5/B – dome and base assembly

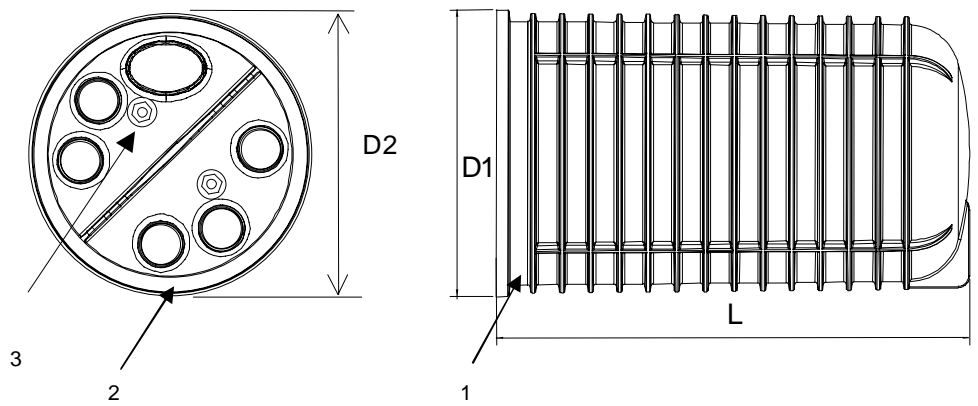
Part description NA
 Part number NA
 Material Dome and base: PP

Dimensions (in mm)

Product size	Diameter		Length
	D1 (nom.)	D2 (nom.)	L (nom.)
FOSC-400D5/B	247	241	410

Notes Nominal values are given for information only.

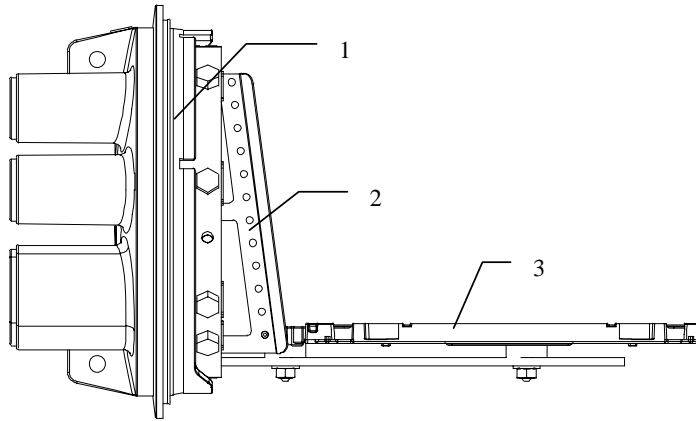
Drawing key 1. Dome
 [728, 886] 2. Base
 3. Optional ground feed-through



FOSC-400D5/B – base & tray assembly

Part description NA
Part number NA

Drawing key 1. Base
[887] 2. Tray support
 3. Splicing tray



FOSC-400B2 & B4 & D5/B – splicing trays

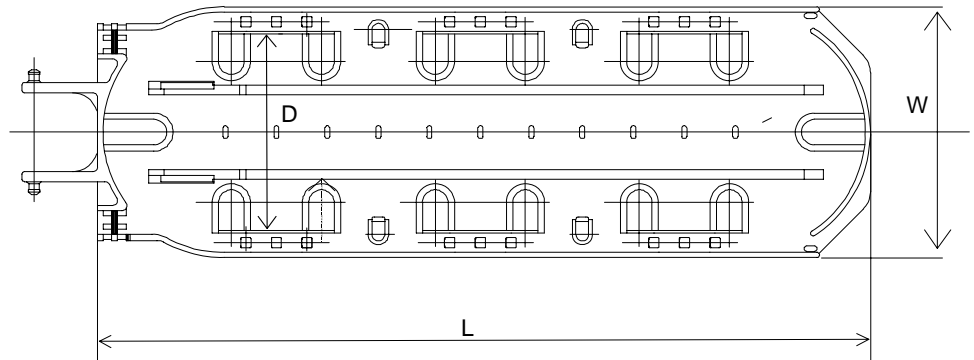
Part description -
 Part number K348-6342-AA
 Material Trays: ABS

Dimensions (in mm)

Product size	W (nom.)	L (nom.)	D (nom.)	Splice capacity
FOSC-400B2 & B4 & D5/B	99	303	77	24

Notes Nominal values are given for information only.

Drawing key 1. Tray
 [537c] 2. Tray lid
 3. Splice holder



FOSC-400B2 & B4 & D5/B – splicing trays

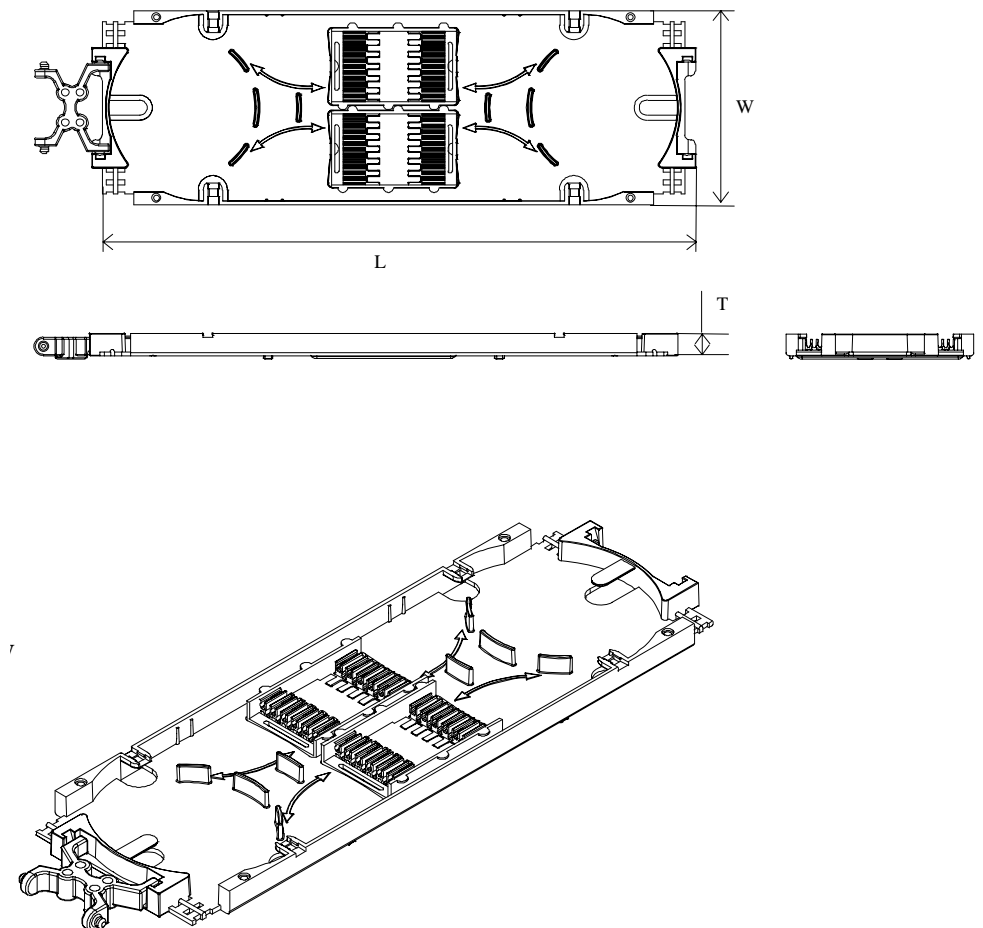
Part description -
 Part number -

Dimensions (in mm)

Product size	W (nom.)	L (nom.)	T (nom.)
FOSC-400B2 & B4 & D5/B	97.4	295.6	11.5

Notes Nominal values are given for information only.

Drawing key
 [867]



FOSC-400D5 – dome and base assembly

Part description NA
 Part number NA
 Material Dome and base: PP

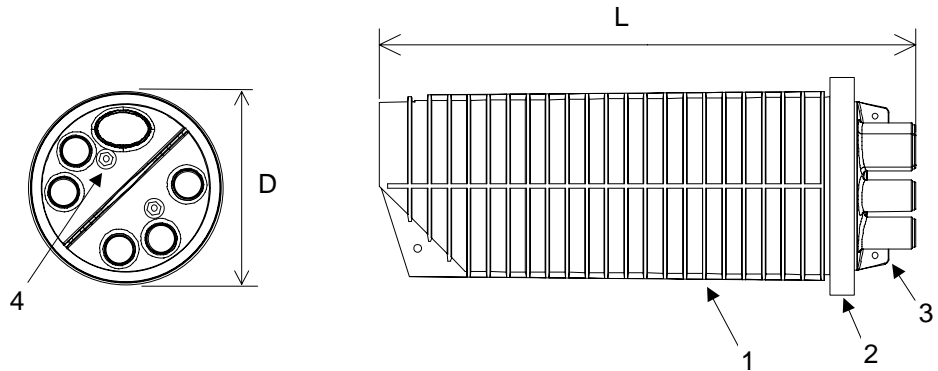
Dimensions (in mm)

Product size	Diameter		Length
	D (nom.)	A (nom.)	L (nom.)
FOSC-400D5	241	32	710

Notes Nominal values are given for information only.

Drawing key
 [530]

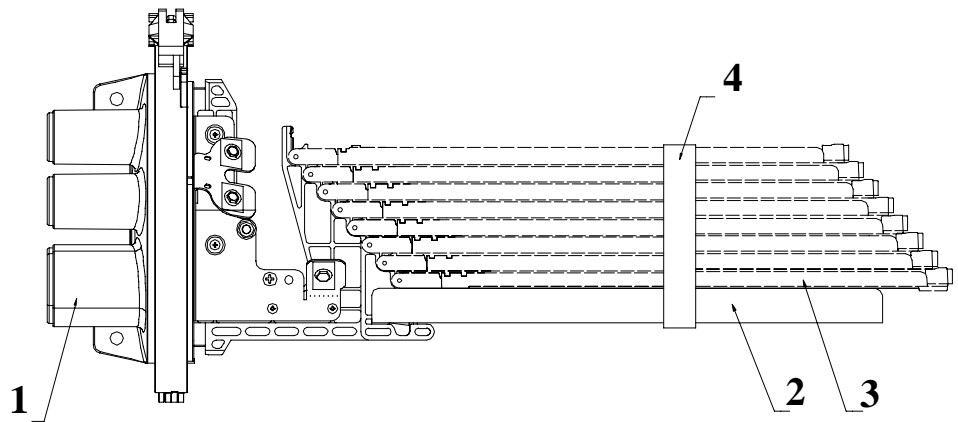
1. Dome
2. Clamp
3. Base
4. Optional ground feed-through



FOSC-400D5 – base & tray assembly

Part description NA
Part number NA

Drawing key 1. Base
[1002] 2. Tray support
3. Trays: the assembly shows the max. number of non-ribbon trays installed.
4. Velcro



FOSC-400D5 – splicing trays

Part description	NA
Part number	See table underneath
Material	Trays: polycarbonate

Dimensions (in mm)

Product size	Application	W (nom.)	L (nom.)	H1 (nom.)	H2 (nom.)
FOSC-400D5	Single fiber*	152	378	13.5	-
FOSC-500D5	Ribbon fiber**	152	378	-	26

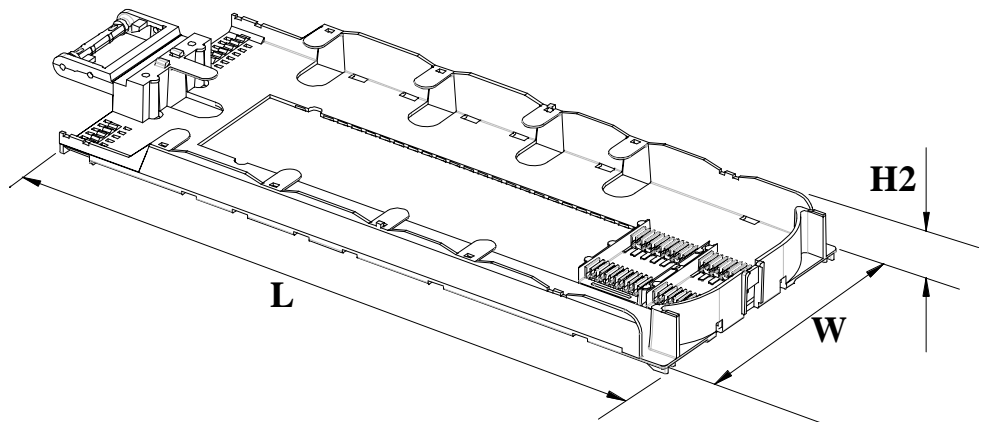
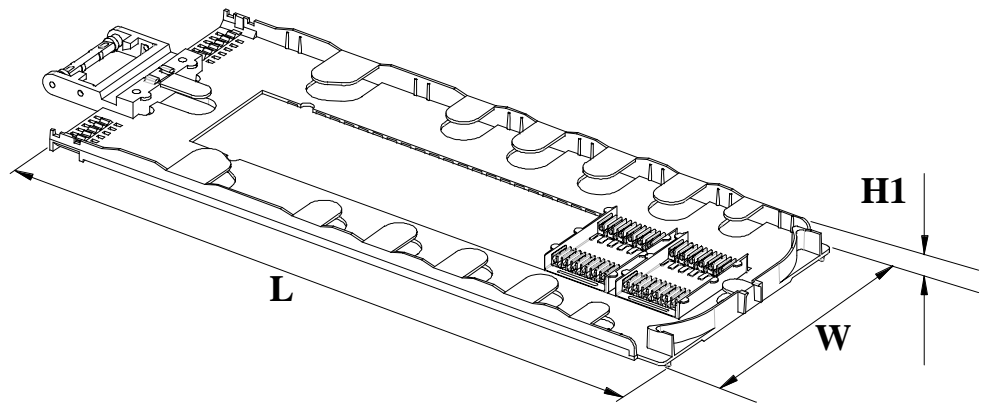
Notes Nominal values are given for information only.

* Tray for various combinations of heat-shrink or ANT splice protectors.

** Tray for 4 stacked modules, each module for 6 mass splices.

Drawing key

[989, 990]



Dome/base clamp

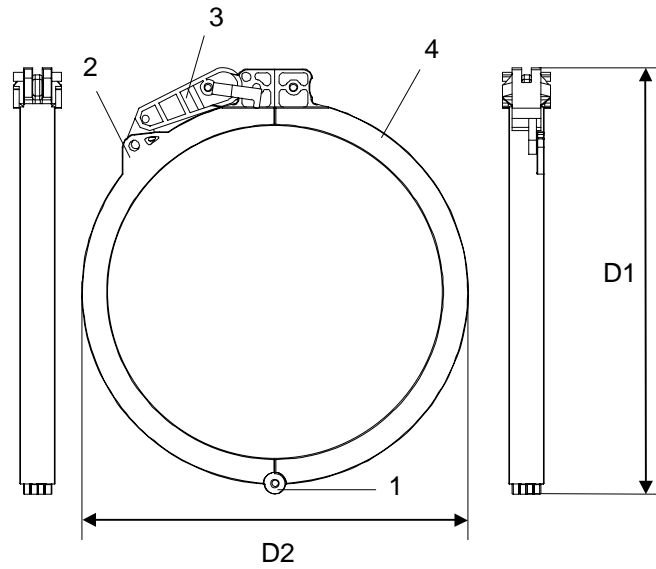
Part description	CLAM-ASSY-XXX-LOGO
Part number	See table underneath
Material	Glass filled PA

Dimensions (in mm)

Product size	Part number	D1 (nom.)	D2 (nom.)
FOSC-400A4 & A8	K341-7691-AA	205	183
FOSC-400B2 & B4	K341-7691-AA	205	183
FOSC-400D5/B	K341-7692-AA	289	267
FOSC-400D5	K341-7692-AA	289	267

Notes Nominal values are given for information only.

- Drawing key
- 1. Hinge
 - 2. Securing points
 - 3. Clamp lever
 - 4. Clamp halves
- [520]



Sealing ring

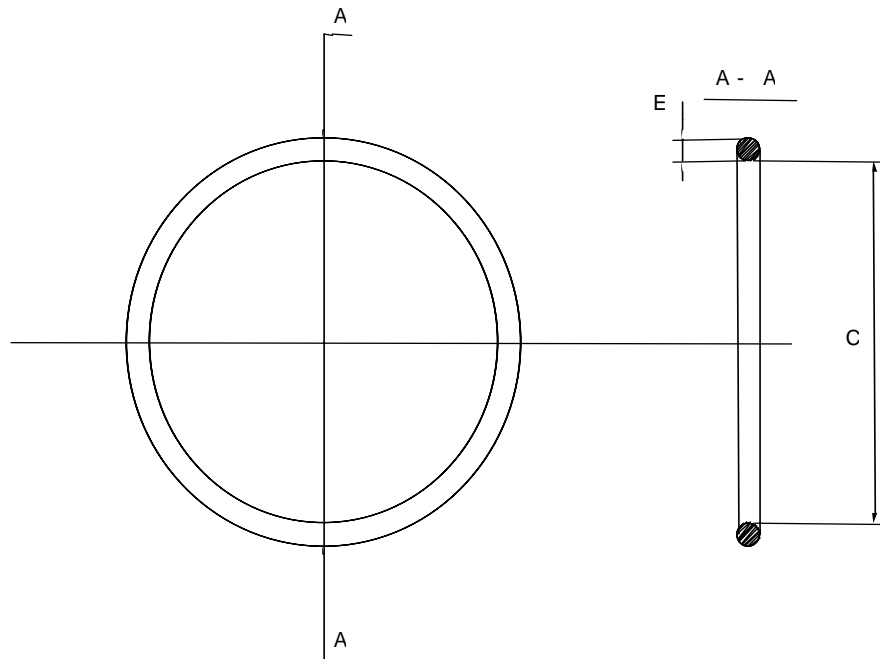
Part description	WASH-O-XXX...
Part number	See table underneath
Material	Buna 50 shore A

Dimensions (in mm)

Product size	Part number	C (nom.)	E (nom.)
FOSC-400A4 & A8	E7000-1032	139	5.3
FOSC-400B2 & B4	E7000-1032	139	5.3
FOSC-400D5/B	E7000-1031	222	5.3
FOSC-400D5	E7000-1031	222	5.3

Notes Nominal values are given for information only.
 Dimensions before assembly.

Drawing key
 [388]



Oval outlet seal

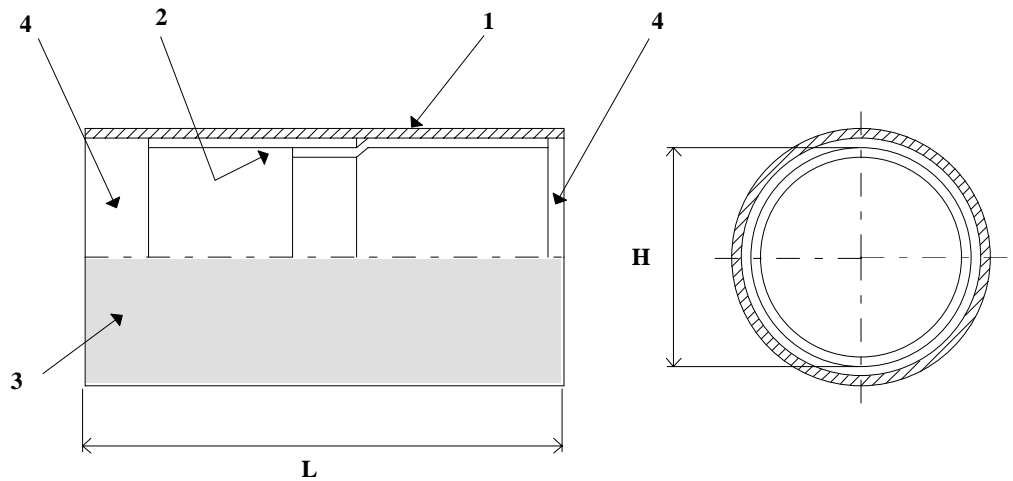
Part description TUBING SPIRAL COATED ...
 Part number XCST-70/22-150
 Material See drawing key

Dimensions (in mm)

Product size	H* (min.)	L (± 5)
All sizes	67	150

Notes * In adhesive coated areas (not overlapping).

Drawing key [525]
 1. Modified polyolefin
 2. Hot-melt adhesive
 3. Temperature indicating paint
 4. Uncoated zones



Branch-off clip for oval outlet cable seal

Part description L-2626-4 SMALL B/O CLIP
 Part number BOCL-20-1640
 Material 1. Corrosion protected aluminum alloy
 2. Holt-melt adhesive

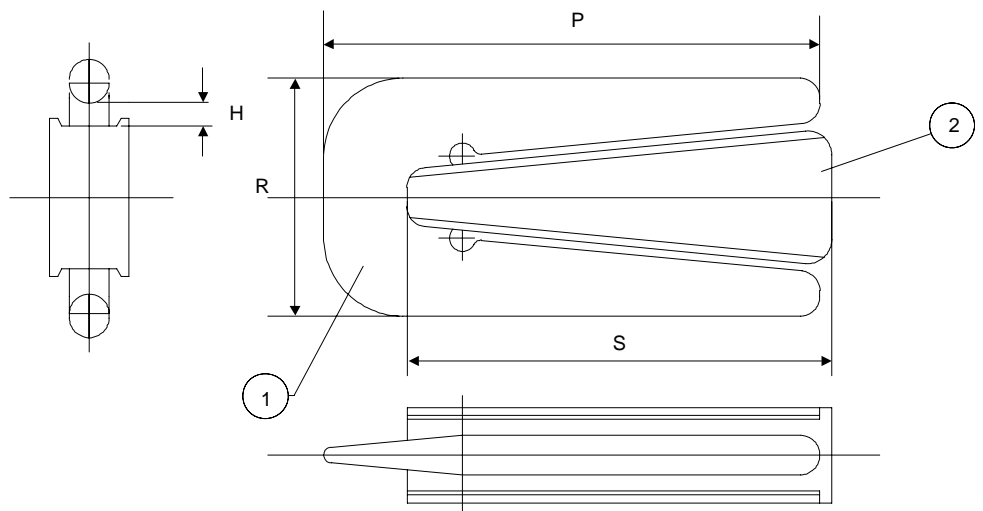
Dimensions (in mm)

Product size	H (min.)	P (± 0.7)	R (± 0.5)	S (min.)
All sizes	1.9	64	28.2	53

Notes Nominal values are given for information only.

Drawing key

[527]



Drop cable seal

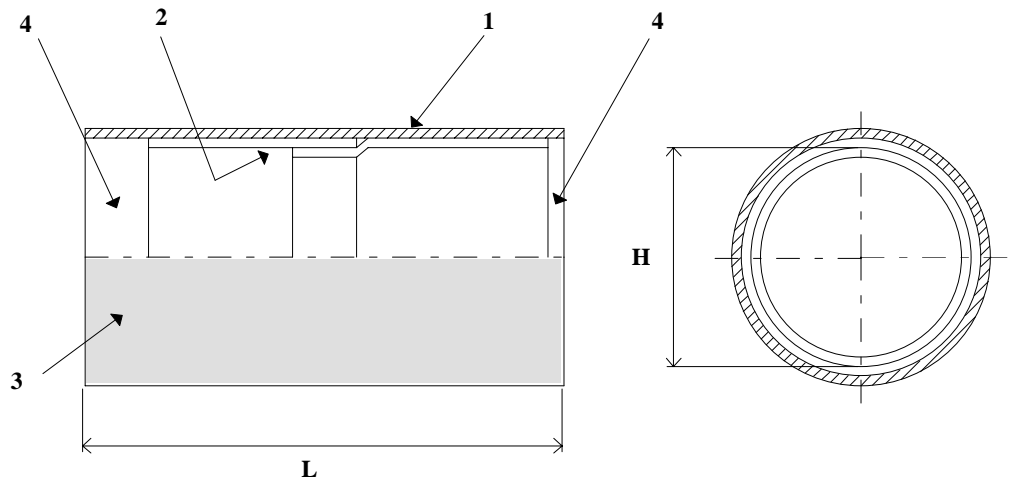
Part description TUBING SPIRAL COATED
 Part number XCST-44/12-150
 Material See drawing key

Dimensions (in mm)

Product size	H* (min.)	L (± 5)
All sizes	47	150

Notes * In adhesive coated areas (not overlapping).

Drawing key [525]
 1. Modified polyolefin
 2. Hot-melt adhesive
 3. Temperature indicating paint
 4. Uncoated zones



1-clip shield continuity wire

Part number See table underneath
 Material See drawing key

Dimensions (in mm)

Product size	Part number	A (min.)	B (± 0.5)	C (min.)	D (± 0.5)	E (± 0.5)	L (± 2%)
FOSC-400A4	SHCO-02-0350	4.6	10.0	13.0	16.0	26.0	350
FOSC-400B2 & B4	SHCO-02-0350	4.6	10.0	13.0	16.0	26.0	350
FOSC-400D5/B	SHCO-00-0301	4.6	10.0	13.0	16.0	26.0	300
FOSC-400D5	SHCO-00-0301	4.6	10.0	13.0	16.0	26.0	300

Drawing key
 [163]

1. Copper wire 2.5 mm² - insulation: PVC
2. Bronze
3. Tin plated brass

